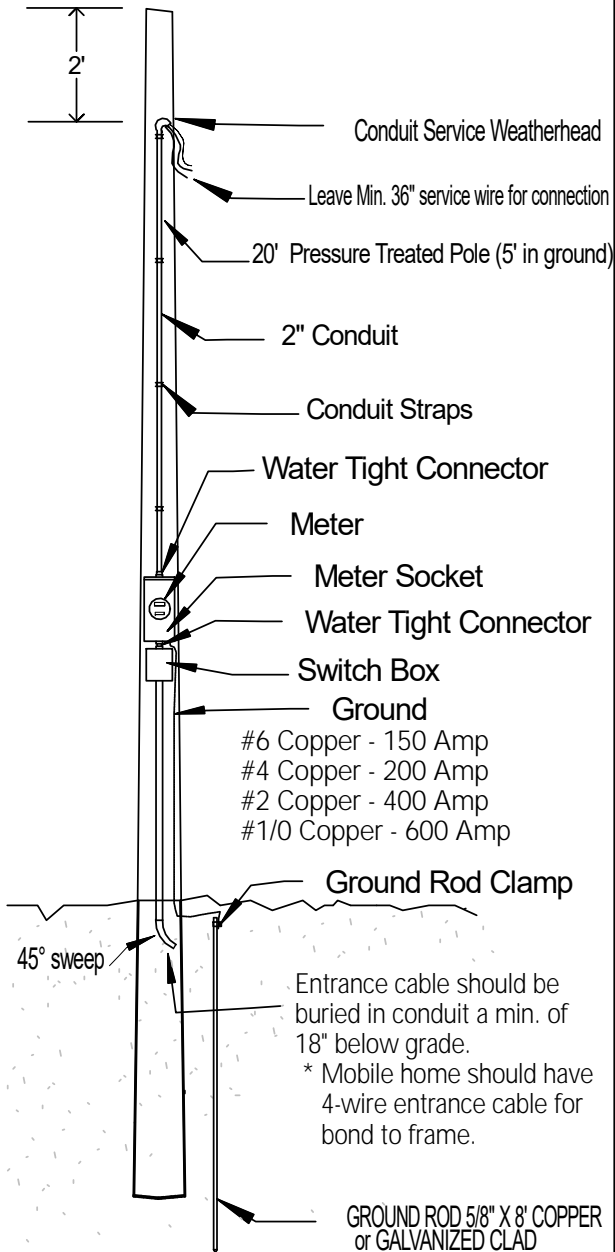
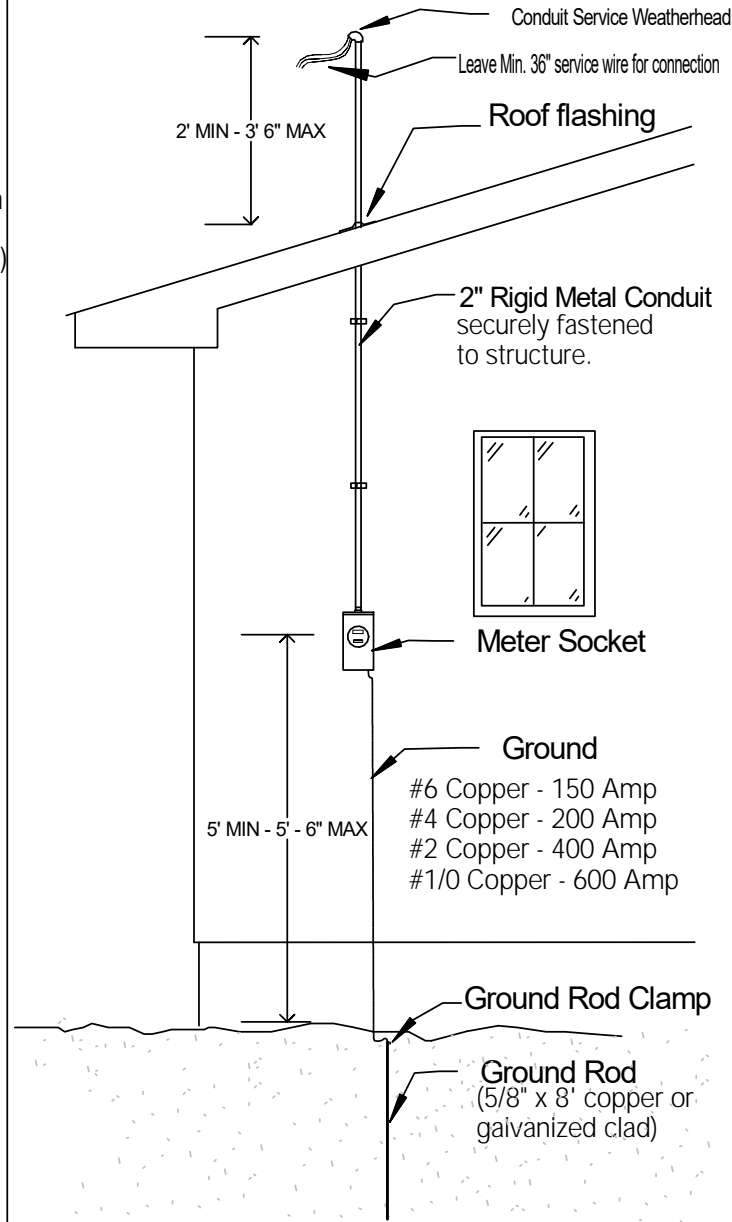


Planters Electric Membership Corporation Customer Entrance Specifications

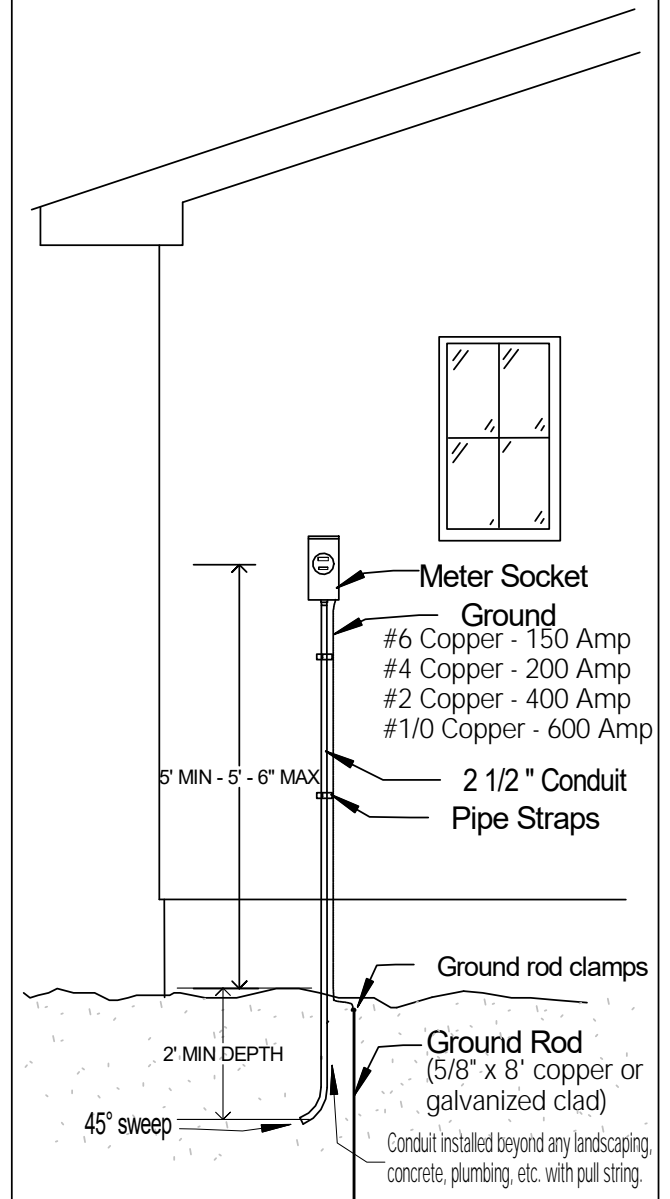
Meter Pole



Overhead Service



Underground Service



All wiring requirements are subject to change and should conform to individual county zoning requirements. All items pictured are to be provided by the consumer except for the meter. Diagrams above meet minimum requirements of the 2011 National Electric Code.